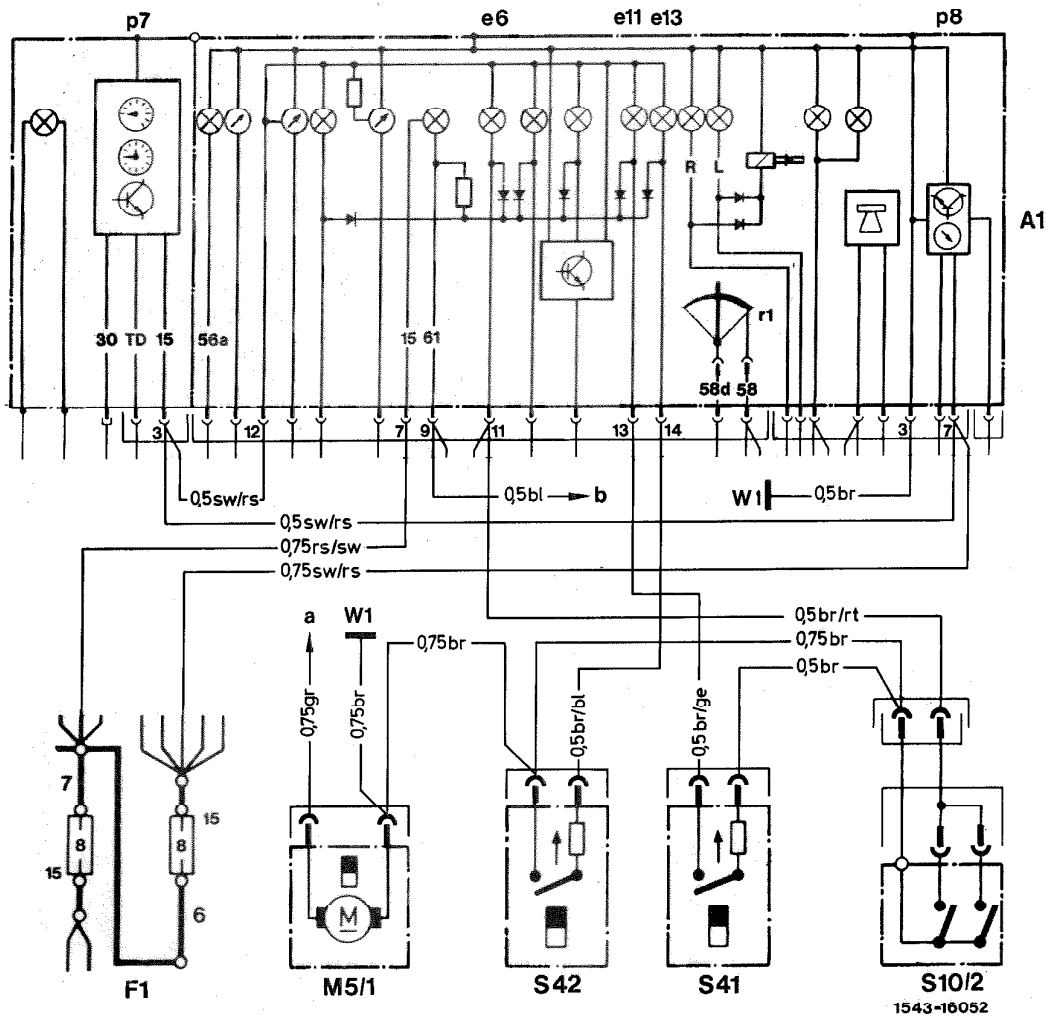


## 54-264 Testing low washer fluid indicator



Electrical wiring diagram windshield washing water and coolant level indication

- |   |   |
|---|---|
| <p>A1 Instrument cluster<br/>                     e6 Indicator lamp brake lining wear<br/>                     e11 Indicator lamp coolant level<br/>                     e13 Indicator lamp windshield washing water level<br/>                     p7 Electronic clock/tachometer<br/>                     p8 Electronic speedometer</p> | <p>F1 Fuse and relay box<br/>                     M5/1 Washer pump<br/>                     S10/2 Contact sensor brake linings, front right<br/>                     S41 Coolant level indicator switch<br/>                     W1 Main ground (behind instrument cluster)<br/>                     a To connector combination switch jack 10<br/>                     b To terminal block X35 terminal 61</p> |
|---|---|

# 54-264 Testing low washer fluid indicator

## Test values

Resistance on windshield washing water level indicator switch with windshield washing water level	„max“	$\infty \Omega$
	„min“	approx. 5 $\Omega$
Battery voltage	approx. 12 V	

## Commercially available tool

Multimeter	e.g. Sun, DMM-5
------------	-----------------

For complaints such as:

- A. Control lamp lights up permanently with engine running and proper windshield washing water level.
- B. Indicator lamp fails to light up with key in position „2“.
- C. Indicator lamp fails to light up with engine running, windshield washing water level below „min“.

## Testing

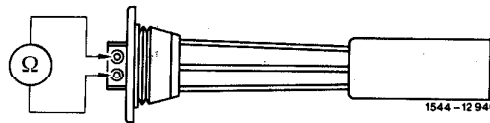
- A. Indicator lamp lights up permanently with engine running and proper windshield washing water level

**Test windshield washing water indicator switch**

Coupling pulled off, connect both plugs with multimeter and check resistance.

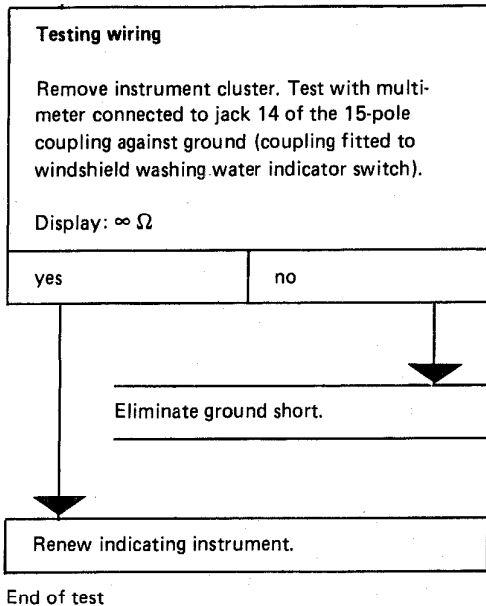
Display:  $\infty \Omega$

yes	no
-----	----

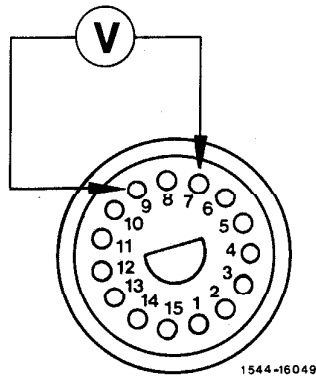
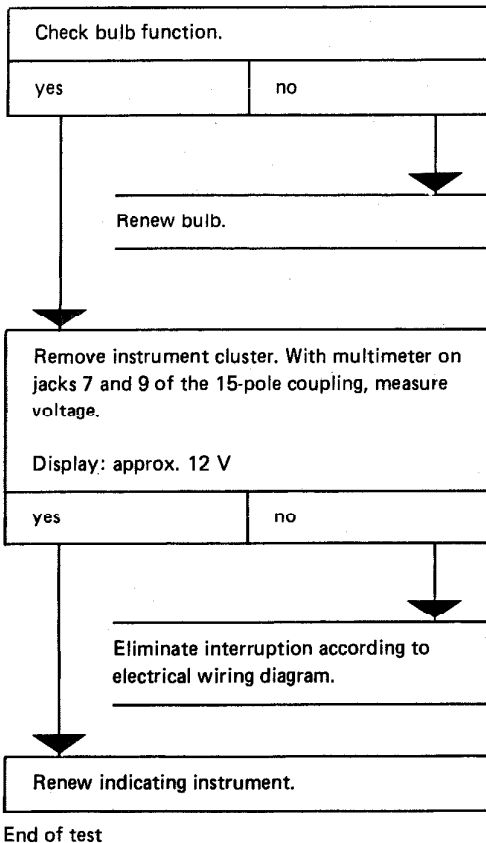


Renew windshield washing water level indicator switch.

## 54-264 Testing low washer fluid indicator



### B. Indicator lamp fails to light up in key position „2“



# 54-264 Testing low washer fluid indicator

C. Indicator lamp fails to light up with engine running and windshield washing water level below „min“ (section „B“ okay)

